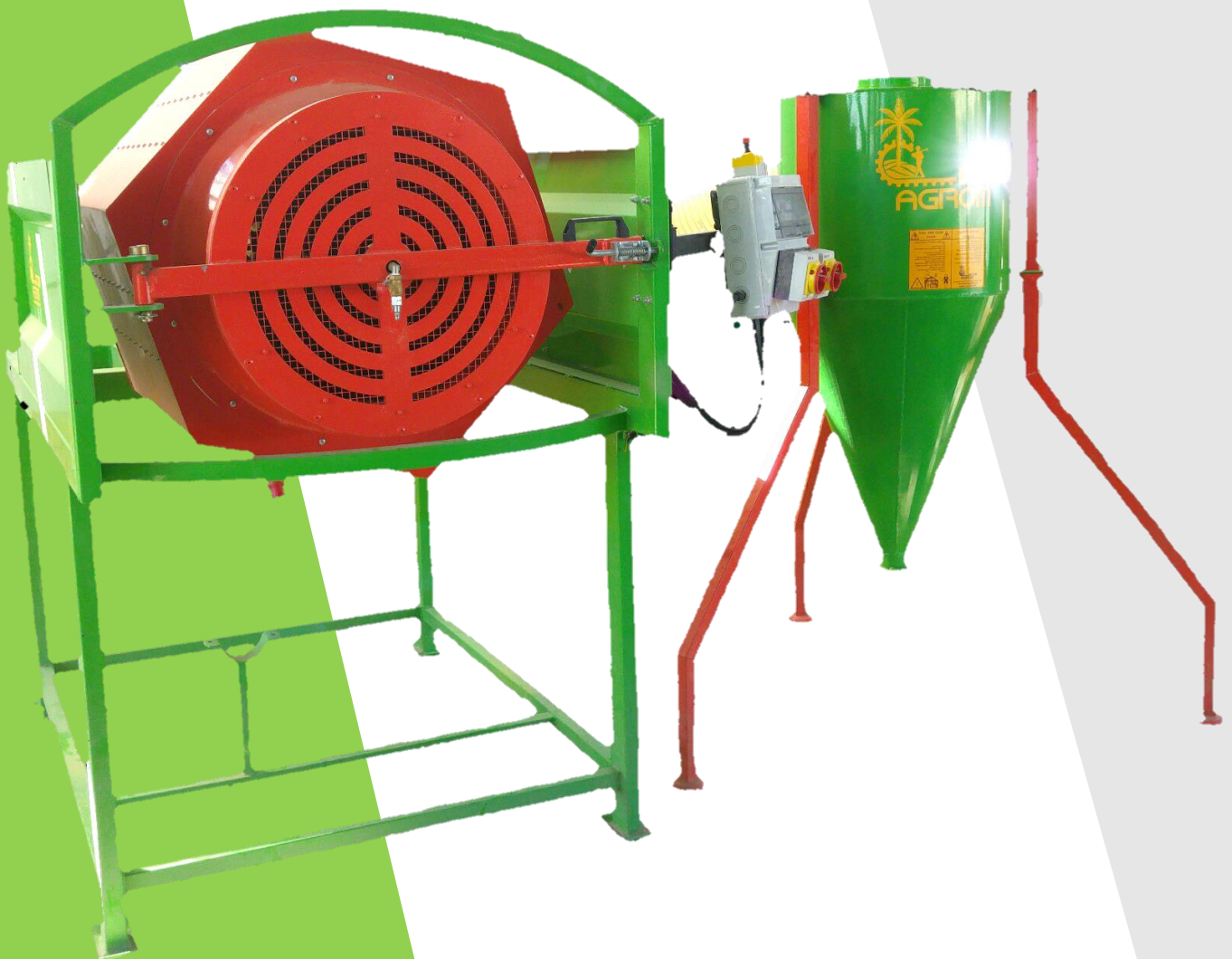




Male Flower Pollen Extraction Machine



Manual

www.agrommachine.com

טל': +972-54-3380050/1 מייל: aviagrom@gmail.com

Care and Maintenance Instructions

1. Before any machinery operation, integrity assemblies must be checked!
2. Greasing the gear wheel- each 50 operating hours.
3. Greasing the main bearing- 300 operating hours.
4. Gear oil change- ISO 320 synthetic- each 600 operating hours.
5. Variator oil change- 80W-90- each 500 operating hours.
6. It recommended drying the flowers 48 hours before separation of the pollen.
7. It recommended cleaning the machine at the end of the work.

WARNING

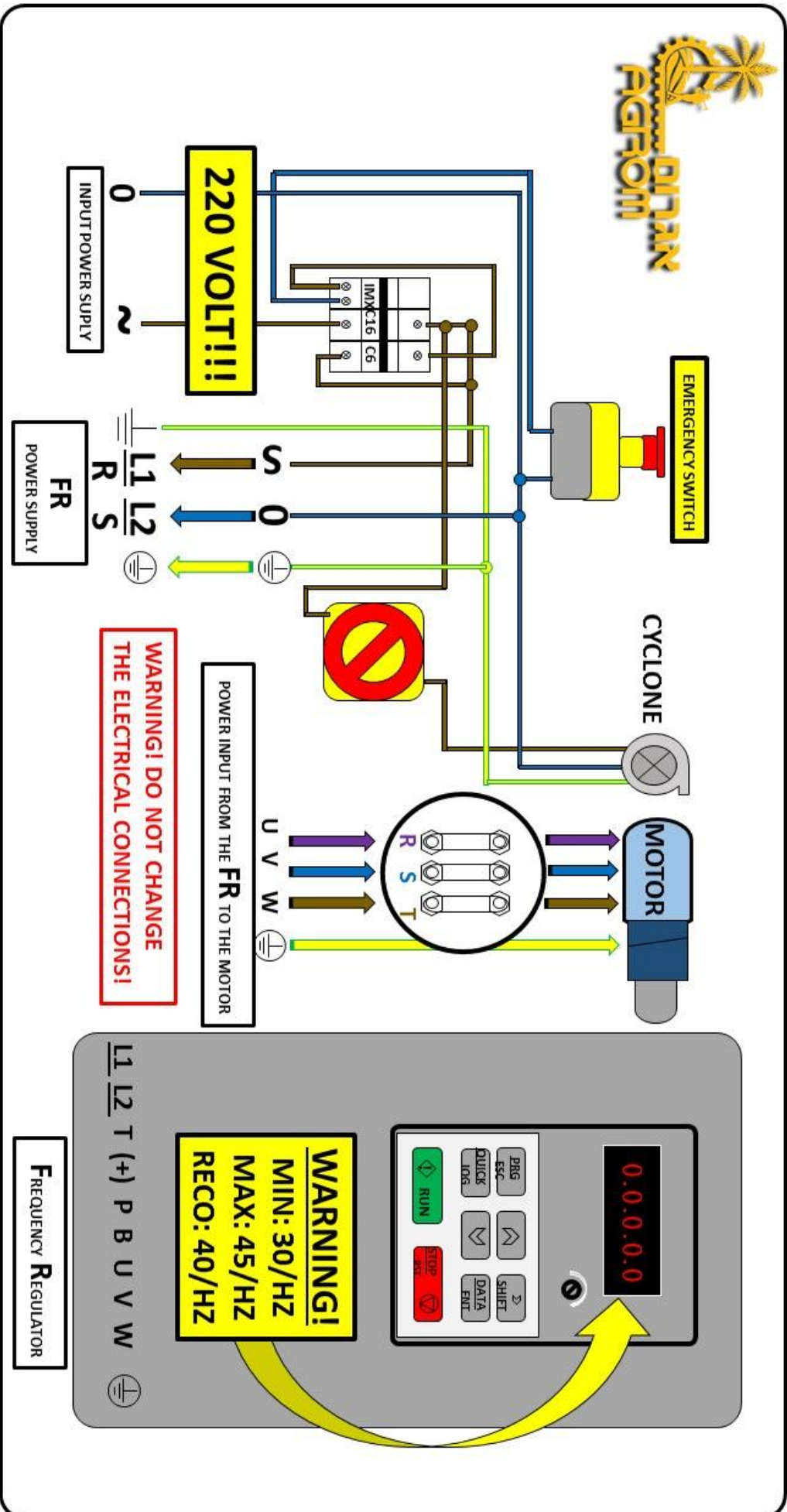
1. Connecting the power to the machine, only by a qualified electrician!
2. Do not disassemble the grounding protection!
3. Do not operate machinery under the influence of drugs and alcohol!
4. You must use protective equipment!
5. Must work in a ventilated area!
6. Do not remove or change the protective cover and the emergency switch!
7. Assemblies integrity and emergency protection must be checked!
8. In cases of malfunction, do not operate the machine!
9. In cases of malfunction, the motor must be turned off and disconnect the electricity power!
10. Operating must be according to work ET height safety guidelines!



Working Recommendations

1. It is recommended to dry the flowers about 48 hours before the separation operation.
2. It is recommended to dry the flower in a warm and closed room with moisture removal device. The flower should hang on racks and on the bottom of them to lay pollen-collecting paper to collect the pollen that naturally fall.
3. For maximum extraction of the pollen of the flower, the flowers can be dried again for 24 hours and make second round in the separation machine.
4. After the separation operation, it is recommended to dissolve the pollen on paper surface in very thin layer all that in a closed room for another dry for 24 hours. The pollen should be sealed in plastic packages with moisture traps and stored in deep freezer.
5. It is recommended to use the pollen up to three hours after its take out from the freezer. It is important to plan the preparation of the pollen mixture to the needs of work.
6. At the end of the work, recommended to clean the separation machine to prevent mold and disease.
7. It is recommended to filter the pollen in fine strainer before use.
8. The ready to use pollen mixture should be stored in a cooler chilled until the moment of use.
9. It is recommended to operate the machine in a protected place from sun, wind and rain.

Attention: all the above is only a recommendation and not a work instructions or any guide to work.



Development, Design and Manufacture of agricultural and industrial machines
 www.agrfrommachine.com email: aviagrfrom@gmail.com Mobile: +972-54-3380050 Netiv Hagedud, 90676 Israel.